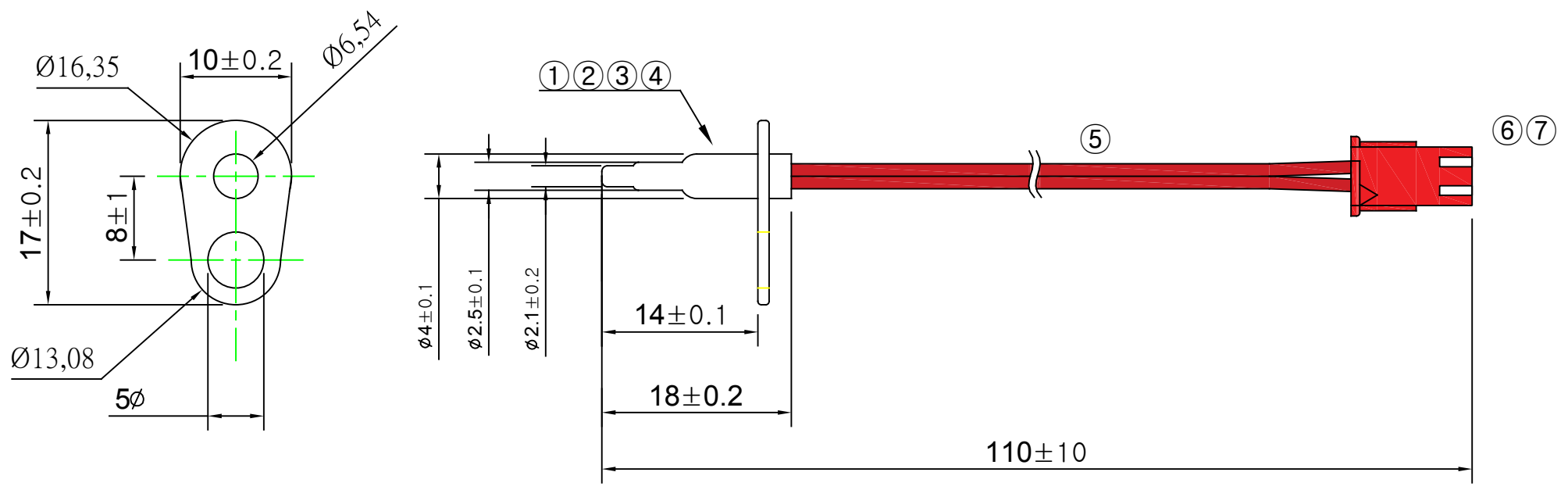


Rev. No	DATE	Description for revision	Checked	Approved
0	2019.03.12	First Description		SE Jeong



- Note
1. $R_{90^{\circ}\text{C}} = 1.325\text{k}\Omega \pm 2.5\%$
 2. $B_{0/100} : 3450 \pm 2\%$
 3. Insulation Resistance : DC 500V , 100 M Ω
 4. Withstand Voltage : AC 1500V(1mA), 1sec
 5. Thermal time constant : 1.2 sec Max (in Water)

⑦	Housing	SMH250-02		1	Red
⑥	Terminal	YST025		2	
⑤	WIRE	AWG26	PVC105 $^{\circ}$ C	1	Red
④	Housing	SUS3 step	SUS304	1	
③	2nd EPOXY	EPOXY	Epoxy Resin		
②	1st EPOXY	EPOXY	Epoxy Resin		
①	Thermistor	G1.325	Ceramic	1	
No.	Part Name	Specification	Material	Q'ty	Remark

APPROVED SE Jeong	DATE 19.03.12	TITLE NAME SPM-G1.325-SEN7	Scale N/S
CHECKED	DATE	DWG NO. SE-10037	Unit : mm
DRAWN JS Ma	DATE 19.03.12	Sensing & Control SENTROL	SIZE : A4