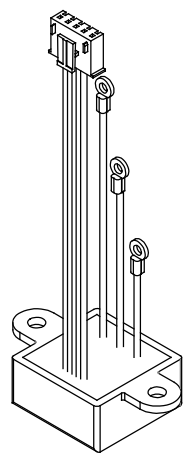
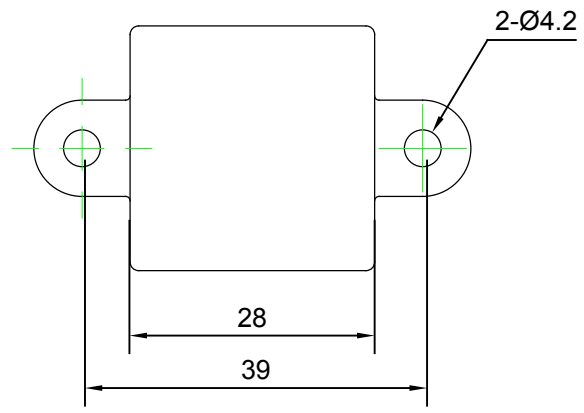
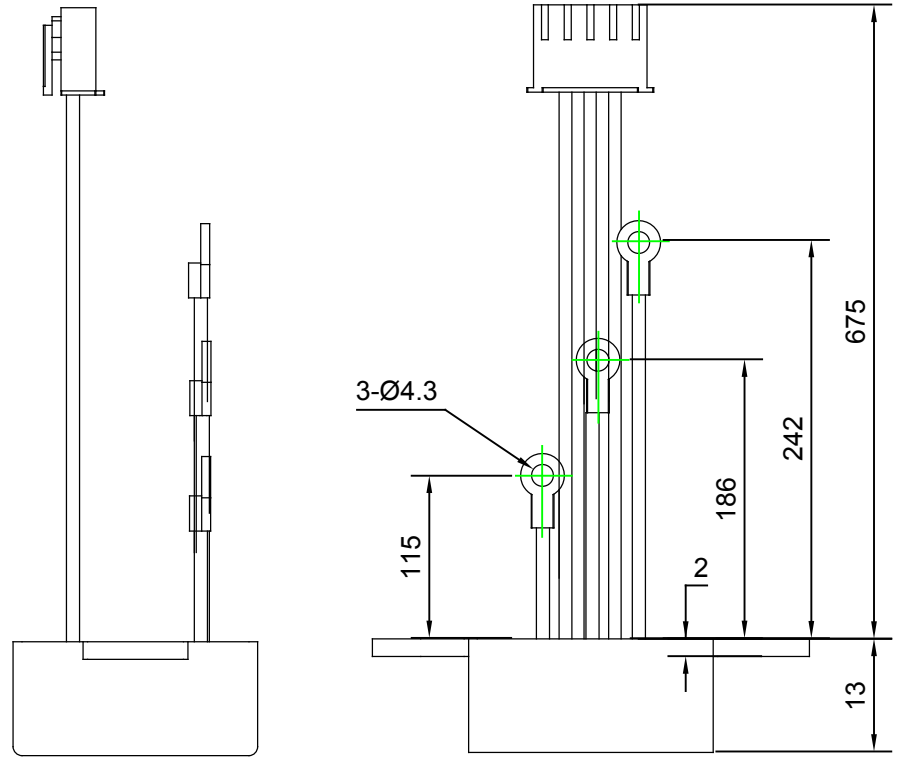


Rev. No	5	6	7
DATE	2019. 2. 1		
Description for revision	First Description		
Checked			
Approved			SE Jeong

A
B
C
D
E
F

A
B
C
D
E
F

See Note 1
1 2 3 4 5



Operating Specification

Characteristic	Condition	Min	Typical	Max	Unit
Supply Voltage	-40°C to 85°C	3.5	-	5.5	Vdc
Supply Current	-	-	750	-	μA
Output Current	Vsupply = 5.5Vdc	-	-	4.0	mA
Output High	No contact to sensing rug terminal	3.0	-	6.0	Vdc
Output Low	Contact to sensing rug terminal	-	0	0.5	Vdc
Time for power reset	-	-	100	-	m sec
Sensing Life Time	Vsupply = 5.0Vdc	300K	-	-	times
Operating Temp	3.5 to 5.5 Vdc	-40	-	85	°C

Note

- Wire color : 1 Ground (Black), 2 Vout1 (Brown), 3 Vout2 (Orange)
4 Vout3 (Yellow), 5 Vcc (Red)
- Wire standard: 24 AWG
- Wire length tolerance is +/- 10mm

⑥	O terminal	Vout 1	Wire Brown	1	
⑤	O terminal	Vout 2	Wire Orange	1	
④	O terminal	Vout 3	Wire Yellow	1	
③	Connector	SMH250	Yeonho	1	5P White
②	Terminal	YST-025	Yeonho	5	
①	Wire	AWG24PVC	PVC	1	
No.	Part Name	Specification	Material	Q'ty	Remark

APPROVED SE Jeong	DATE 19. 1. 21	TITLE NAME AWC-LVSS3CH	Scale N/S
CHECKED JS Ma	DATE 19. 1. 16	DWG NO. SE-10020-03	Unit : mm
DRAWN JS Ma	DATE 19. 1. 16	Sensing & Control SENTROL	SIZE : A4

1 2 3 4 5 6 7