

Rev. No	DATE	Description for revision	Checked	Approved
0	2019. 2. 1	First Description		SE Jeong
1	2019. 4. 10	Wire Length Change		SE Jeong

Operating Specification

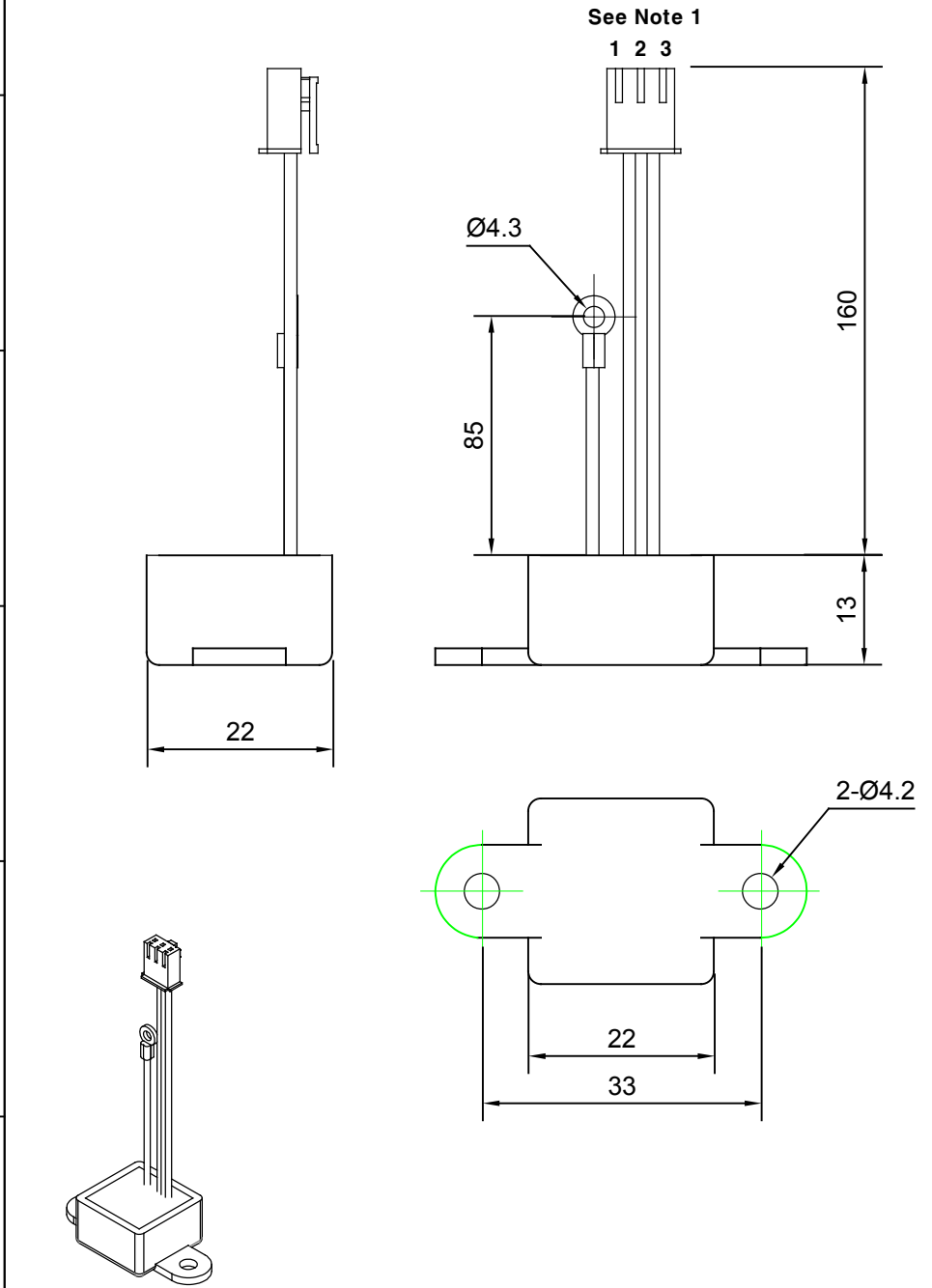
Characteristic	Condition	Min	Typical	Max	Unit
Supply Voltage	-40°C to 85°C	3.5	-	5.5	Vdc
Supply Current	-	-	750	-	μA
Output Current	Vsupply = 5.5Vdc	-	-	4.0	mA
Output High	No contact to sensing rug terminal	3.0	-	6.0	Vdc
Output Low	Contact to sensing rug terminal	-	0	0.5	Vdc
Time for power reset	-	-	100	-	m sec
Sensing Life Time	Vsupply = 5.0Vdc	300K	-	-	times
Operating Temp	3.5 to 5.5 Vdc	-40	-	85	°C

Note

- Wire color : 1 Vout (Blue), 2 Vcc (Red), 3 Ground (Black)
- Wire standard: 24 AWG
- Wire length tolerance is +/- 10mm

④	O terminal	V out	Wire Black	1	
③	Connector	SMH250	Yeonho	1	3P Yellow
②	Terminal	YST-025	Yeonho	3	
①	Wire	AWG24PVC	PVC	1	
No.	Part Name	Specification	Material	Q'ty	Remark

APPROVED SE Jeong	DATE 19. 1. 21	TITLE NAME AWC-LVSS1CH	Scale N/S
CHECKED JS Ma	DATE 19. 1. 16	DWG NO. SE-10020-01	Unit : mm
DRAWN JS Ma	DATE 19. 1. 16	Sensing & Control SENTROL	SIZE : A4



A
B
C
D
E
F

A
B
C
D
E
F

1 2 3 4 5 6 7