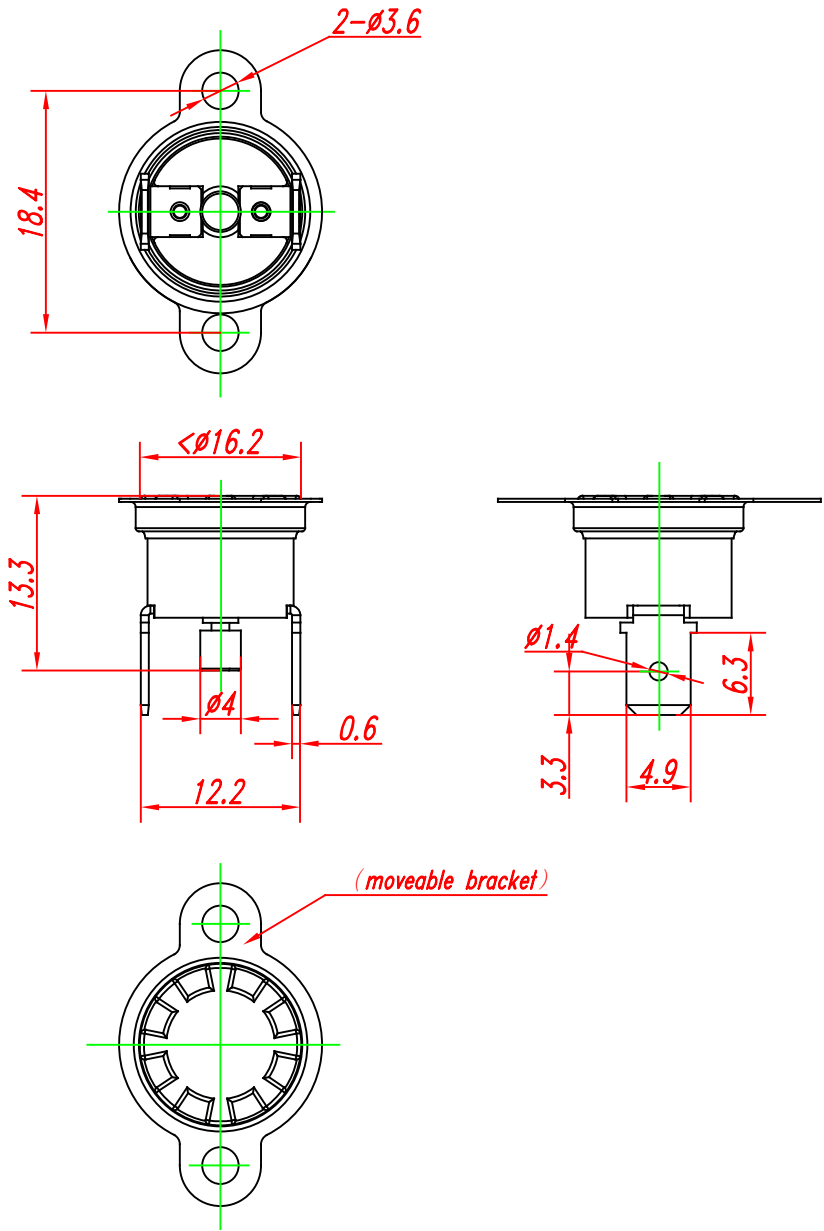


Rev. No	DATE	Description for revision	Checked	Approved
0	2019.03.12	First Description		SE Jeong



Specification	
Rated voltage	AC250V
Rated current	16A (Resistive Load)
Contacts	SPST, manual reset
Operating temperature	OFF:(open)95±3.5°C / ON (close)
Material of base	Ceramic
Material of sensing cover	Aluminum
Material of terminal	Nickel plated brass
Insulated Resistance	Min 10MΩ (with DC500V)
Max Ambient temperature	205°C
Contact Resistance	Max 50mΩ
Life (resistive load)	min 10,000 cycles
Approved	TUV, CQC
Marking series No.	KSD301-R-G

APPROVED SE Jeong	DATE 19.03.12	TITLE NAME KSD301-9.5/16D16R9-G	Scale N/S
CHECKED	DATE	DWG NO. SE-10039	Unit : mm
DRAWN JS Ma	DATE 19.03.12	Sensing & Control SENTROL	SIZE : A4