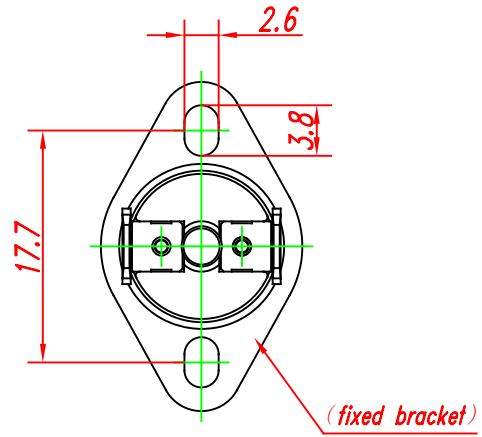
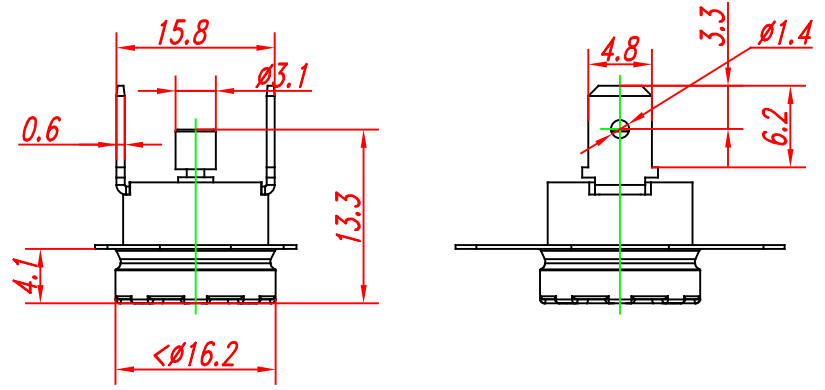


Rev. No	DATE	Description for revision	Checked	Approved
0	2018.11.30	First Description		SE Jeong



Specification	
Rated voltage	AC250V 50Hz/60Hz
Rated current	16A (Resistive Load)
Contacts	SPST, manual reset
Operating temperature	OFF:(open) $95\pm 4^{\circ}\text{C}$ / ON (close)
Material of base	Ceramic
Material of sensing cover	Aluminum
Material of terminal	Nickel plated brass
Insulated Resistance	Min 100M Ω (with DC500V)
Max Ambient temperature	205 $^{\circ}\text{C}$
Contact Resistance	Max 50m Ω
Life (resistive load)	min 10,000 cycles
Approved	TUV
Marking series No.	KSD301-R-G

APPROVED SE Jeong	DATE 18.11.30	TITLE NAME KSD301-9.5/16D16R9-G	Scale N/S
CHECKED SO Kim	DATE 18.11.26	DWG NO. SE-10013	Unit : mm
DRAWN SO Kim	DATE 18.11.26	Sensing & Control SENTROL	
			SIZE : A4